

INSTRUCTIONS FOR INSTALLING A VEND DOOR ROLLERS AND ACTUATOR ASSEMBLIES REPLACEMENT KIT, PART NUMBER 1412093, IN A NATIONAL VENDORS® SC-141 OR SC-142 MERCHANDISER, OR AN LSV-150 LIMITED SERVICE VENDOR

CHECK THE PARTS RECEIVED IN THE KIT WITH THE PARTS LIST IN THESE INSTRUCTIONS. FIGURE 1 SHOWS ALL THE PARTS IN THE KIT. IF ANY PARTS ARE MISSING, CONTACT NATIONAL VENDORS' PARTS DEPARTMENT IMMEDIATELY.

This Kit contains the following:

Part Number	Description	Quantity
1412092	Installation Instructions	1
1412141	R.H. Actuator Plate and Roller Assembly	1
1412144	L.H. Actuator Plate and Roller Assembly	1
1412089	Door Actuator Roller	2
1412090	Door Actuator Stud	2
1412046	No.8-32 Self Locking Nut	2
1412045	Actuator Plate Pivot Stud	2
1407048	No.10-32 Self Locking Nut	2

WARNING

For maximum safety, disconnect the Merchandiser Service Cord. Open the cabinet door until it is secured by the Door Check Assembly.

A. REMOVAL

1. Remove the Delivery Pan Assembly from the cabinet door. See Figure 2.
2. Remove the following parts from the Delivery Pan Assembly. See Figure 3.
 - a. Two Door actuator Studs.
 - b. Two Door Actuator Rollers.
 - c. Two No.8-32 selflocking nuts.
 - d. Two Actuator Plate Pivot Studs.
 - e. Two No.10-32 selflocking nuts.
 - f. One R.H. and L.H. Actuator Plate and Roller Assembly.

B. INSTALLATION

1. Using the parts included in the Kit, replace those parts removed from the Delivery Pan Assembly in step A2.
2. Place the Delivery Pan Assembly back on the cabinet door. See Figure 2.

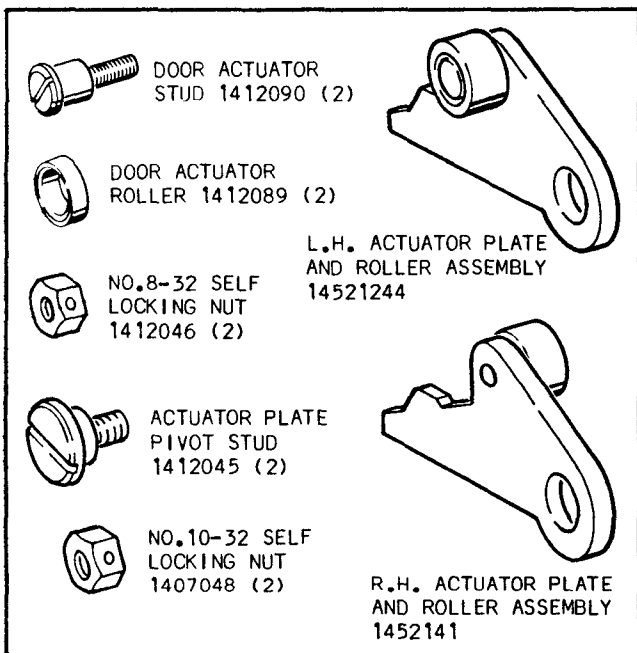


FIGURE 1

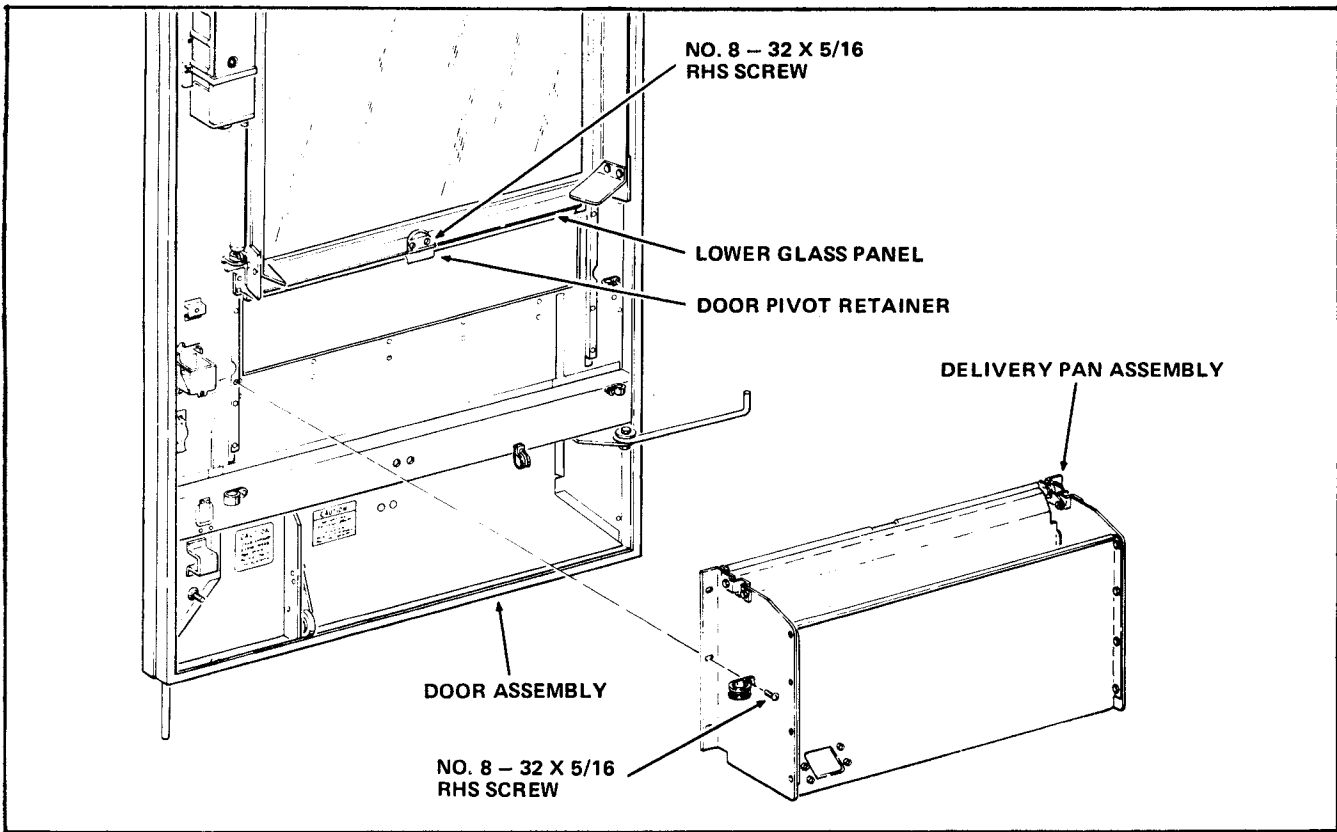


FIGURE 2

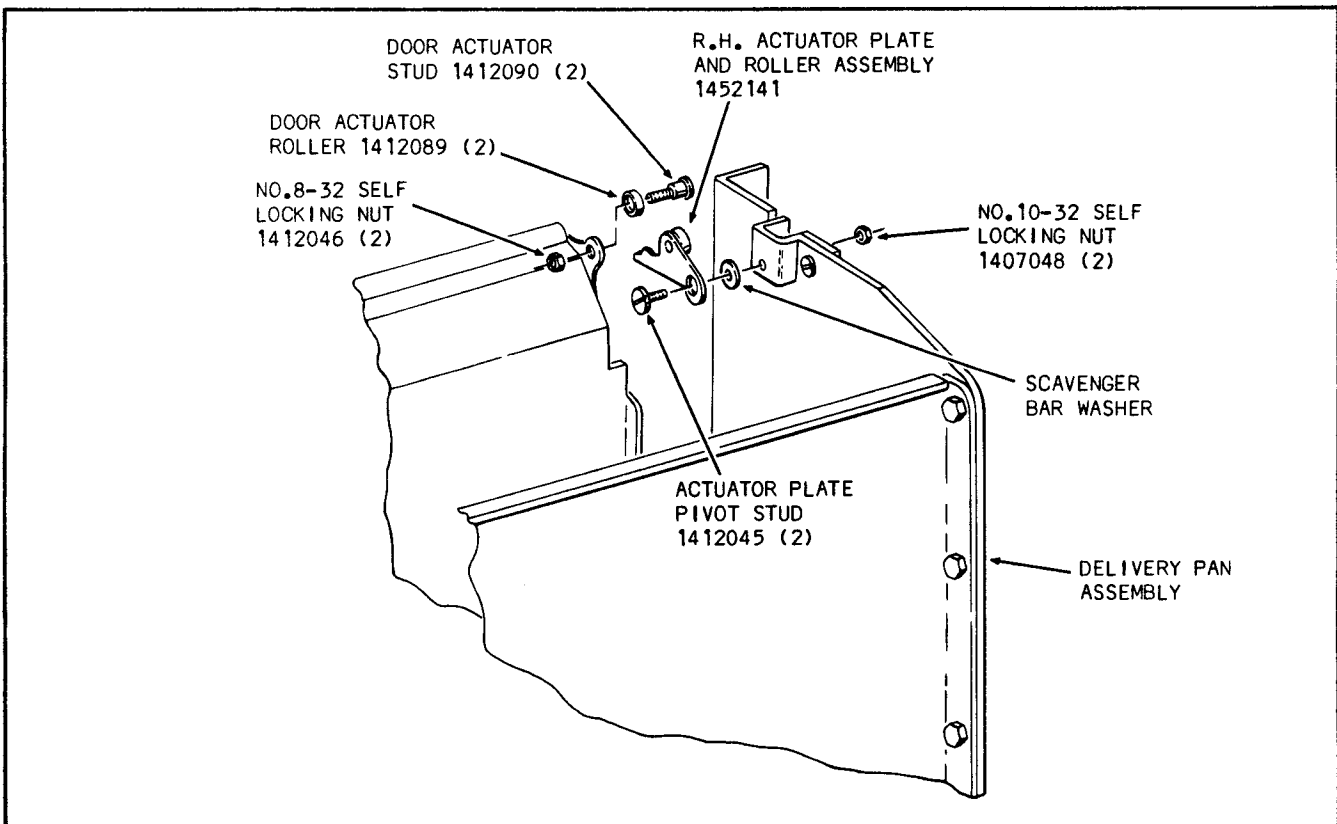


FIGURE 3